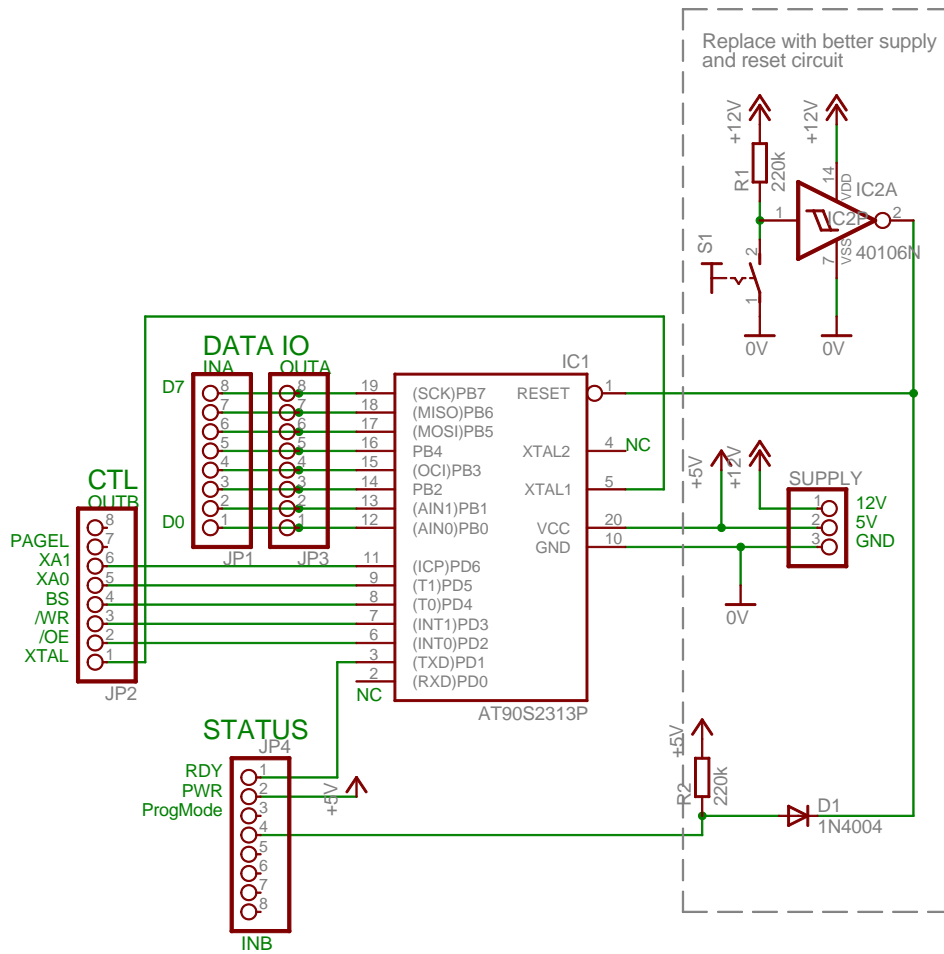


## AT90S2313 programmer using Latch16Bit board



AT90S2313 programmer using Latch16Bit board

(c) 2003 by Wolfgang Wieser

TITLE: ATMEL-prg-latch16bit

Document Number:

REV:

2

Date: 4/11/2004 13:20:35

Sheet: 1/1