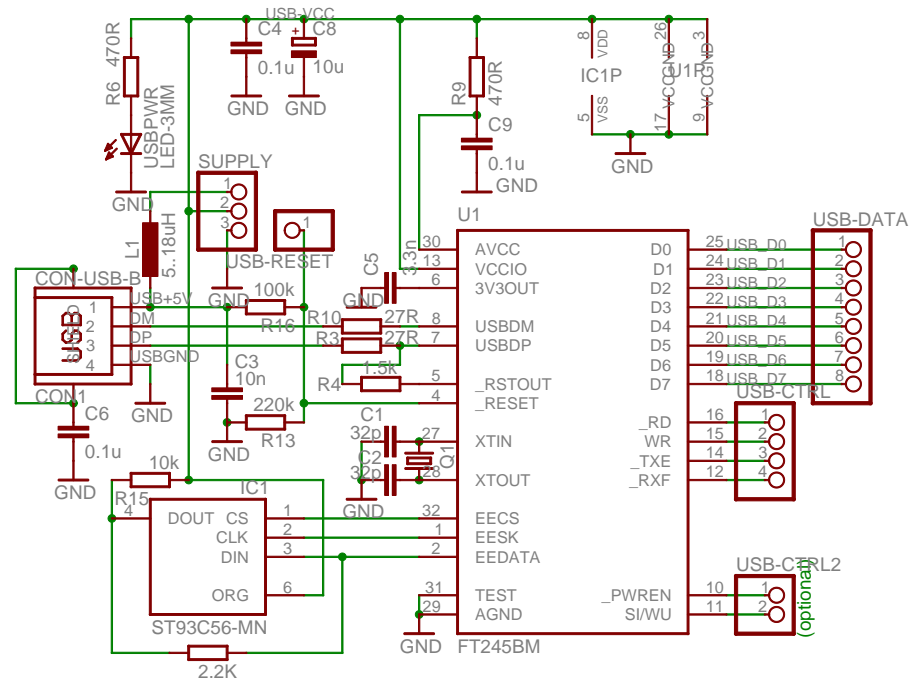


# 8bit USB Interface Board



Select USB-powered operation via jumper 1-2 on SUPPLY.  
For external powering, connect +5V on pins 2,3 of SUPPLY.

In bitbang mode, all connectors may be left floating.

8bit USB Interface Board

(c) 05/2004, 02-04,10/2005 by Wolfgang Wieser

TITLE: USB-device-SMD-r4

Document Number:

REV:

4

Date: 2/28/2006 15:28:35

Sheet: 1/1