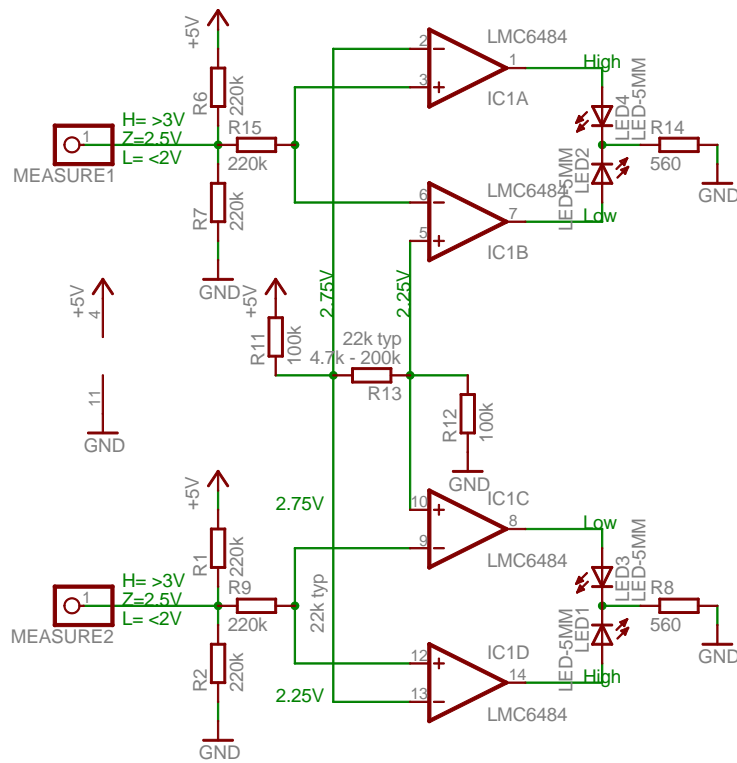


## Dual Logic Low/Floating/High Detector



Dual logic low/foating/high detector  
 5V logic, frequencies above 10k detected as floating  
 (c) 04/2004 by Wolfgang Wieser

TITLE: LogicState

Document Number:

REV:

1

Date: 4/08/2004 18:02:56

Sheet: 1/1