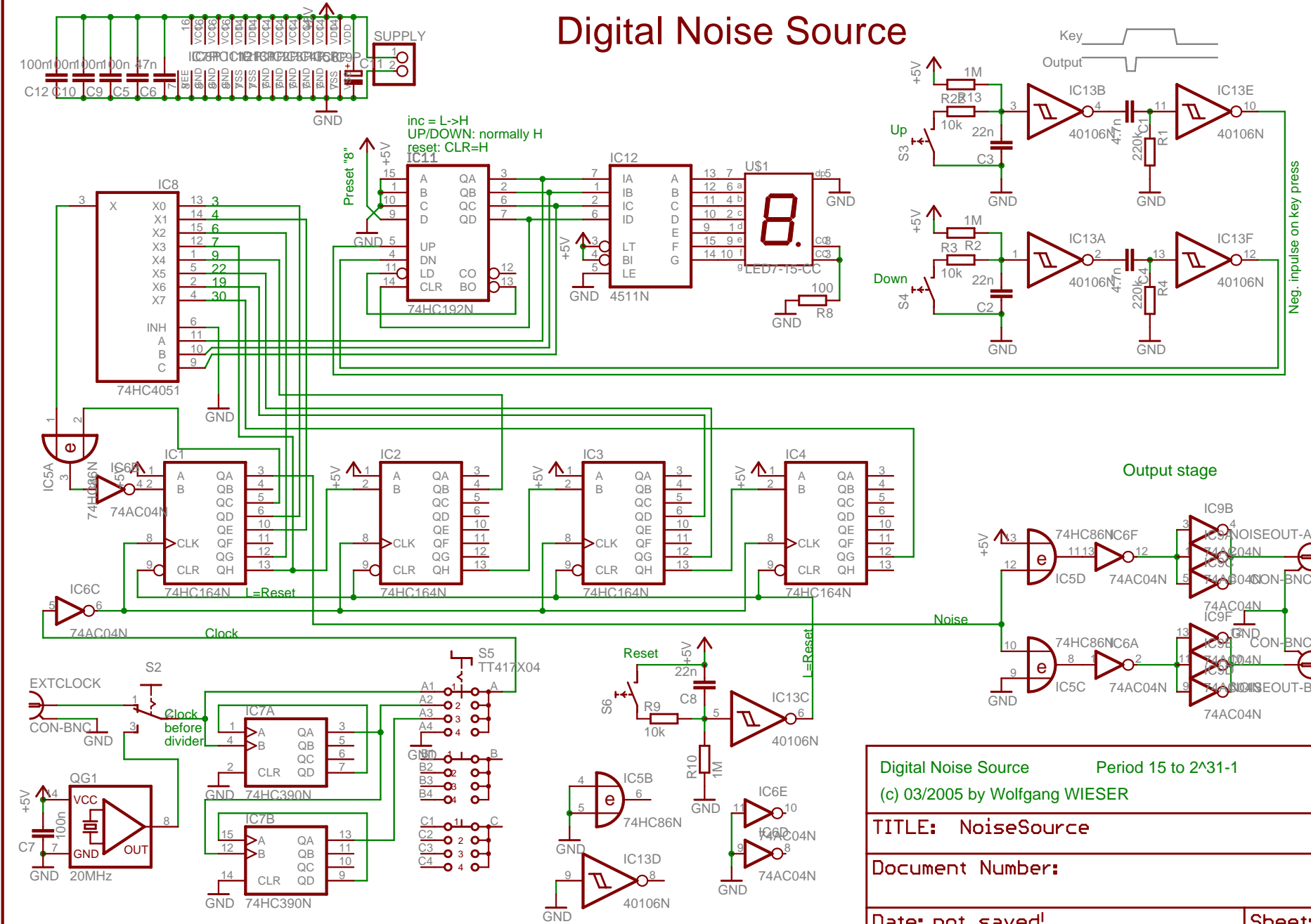


Digital Noise Source



Digital Noise Source		Period 15 to $2^{31}-1$
(c) 03/2005 by Wolfgang WIESER		
TITLE: NoiseSource		
Document Number:		REV: 2
Date: not saved!		Sheet: 1/1