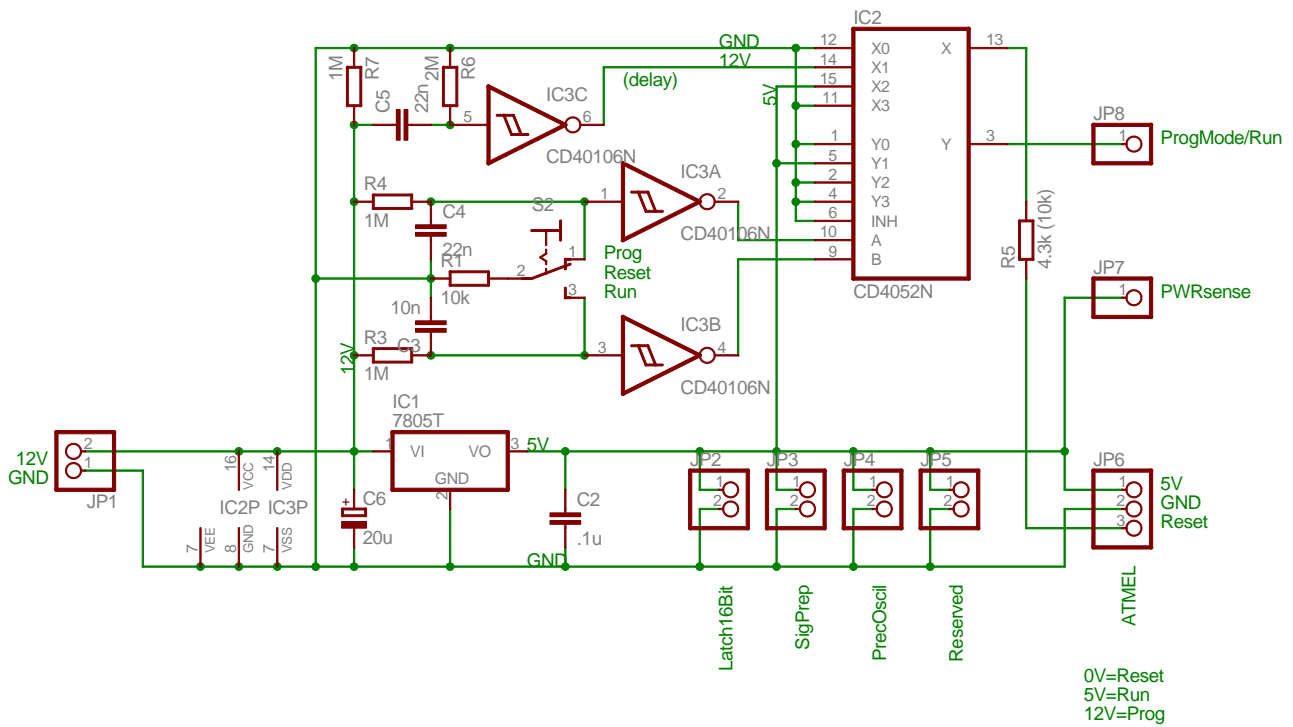


Atmel Programmer Power Supply & Reset logic



Atmel programmer power supply & reset logic
(c) 12/2003 by Wolfgang Wieser

TITLE: ATMEL-ProgSupply-rev2	
Document Number:	REV: 2
Date: not saved!	Sheet: 1/1