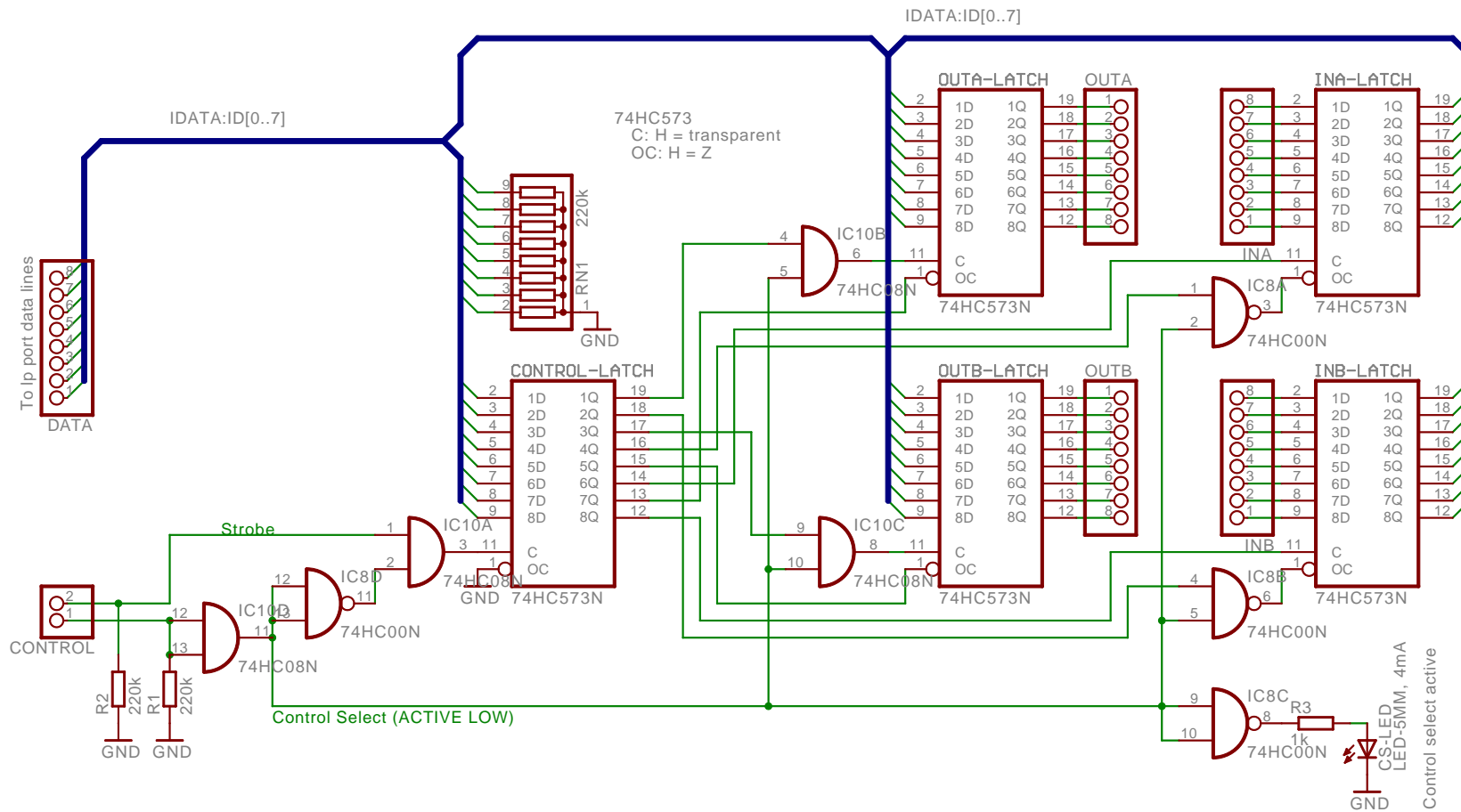


Latch16Bit board -- parallel port IO card



LATCH 16bit	
(c) 2003 by Wolfgang Wieser	
TITLE: Latch-16bit	
Document Number:	REV: 2
Date: 6/07/2003 22:40:44	Sheet: 1/1

