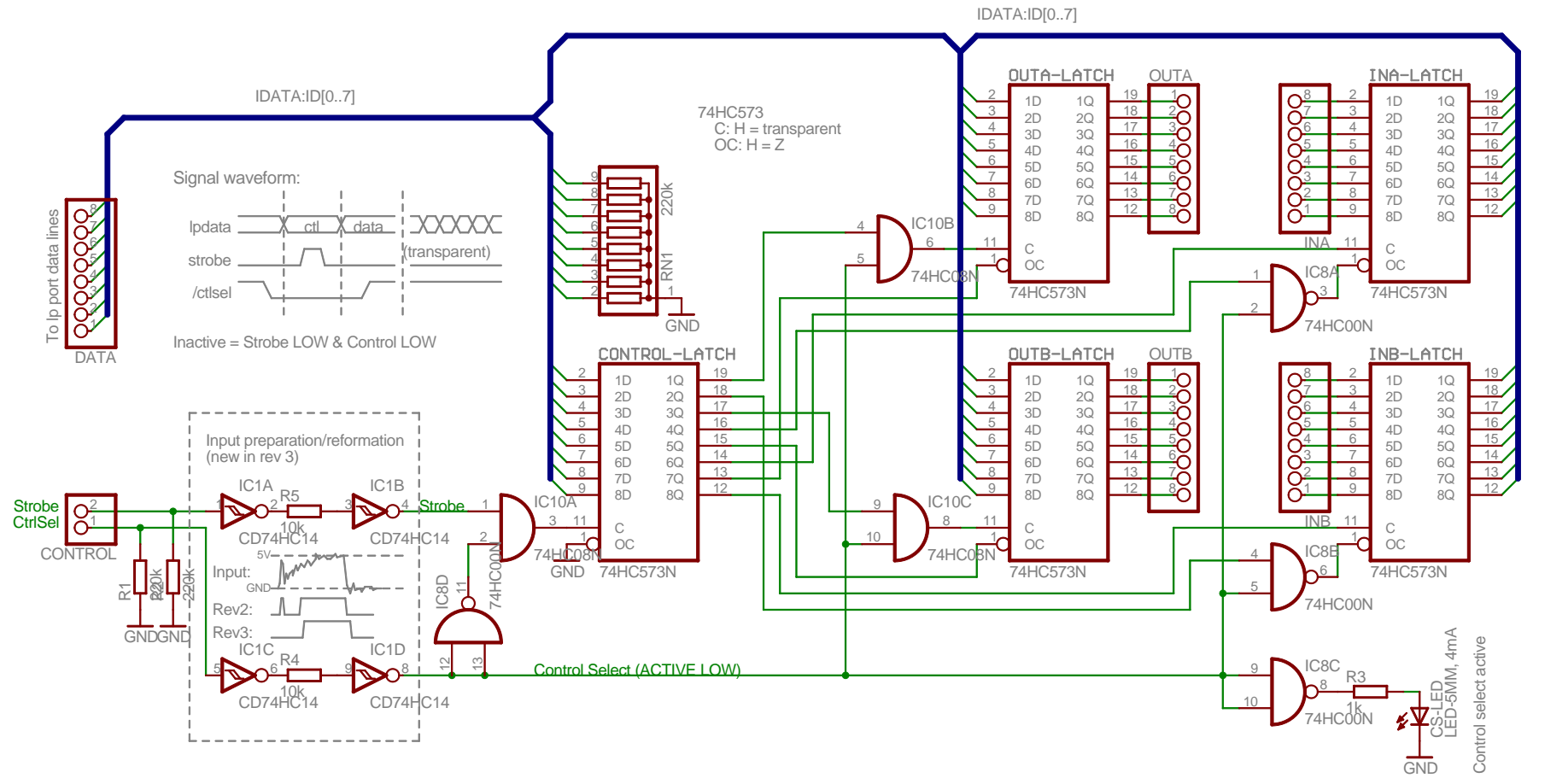


Latch16Bit board -- parallel port IO card



LATCH 16bit	
(c) 2003 by Wolfgang Wieser	
TITLE: Latch-16bit-rev3	
Document Number:	REV: 3
Date: 9/22/2003 01:37:16	Sheet: 1/1

