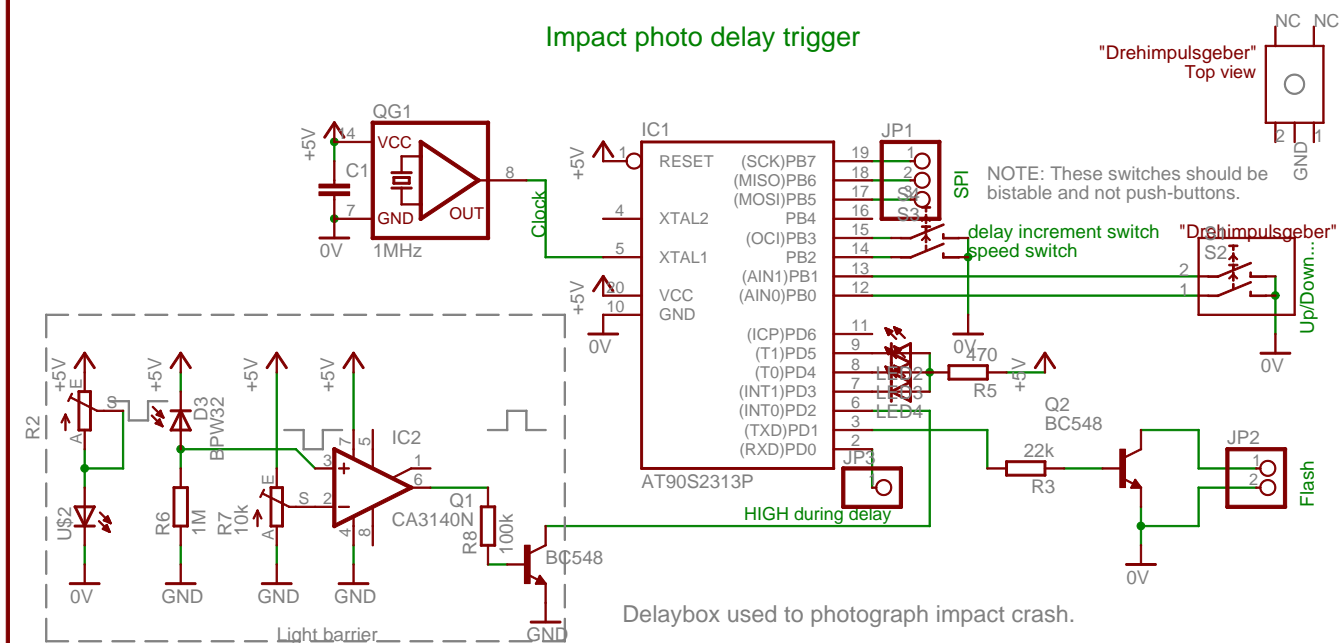


## Impact photo delay trigger



Delaybox used to photograph impact crash.

(c) 04/2004, 07/2005 by Wolfgang WIESER  
Rev-2 modified from Rev-1 to reflect actual firmware.

Impact photo delay box

(c) 04/2004, 07/2005 by Wolfgang WIESER

TITLE: delaybox-r2

Document Number:

REV:  
2

Date: not saved!

Sheet: 1/1