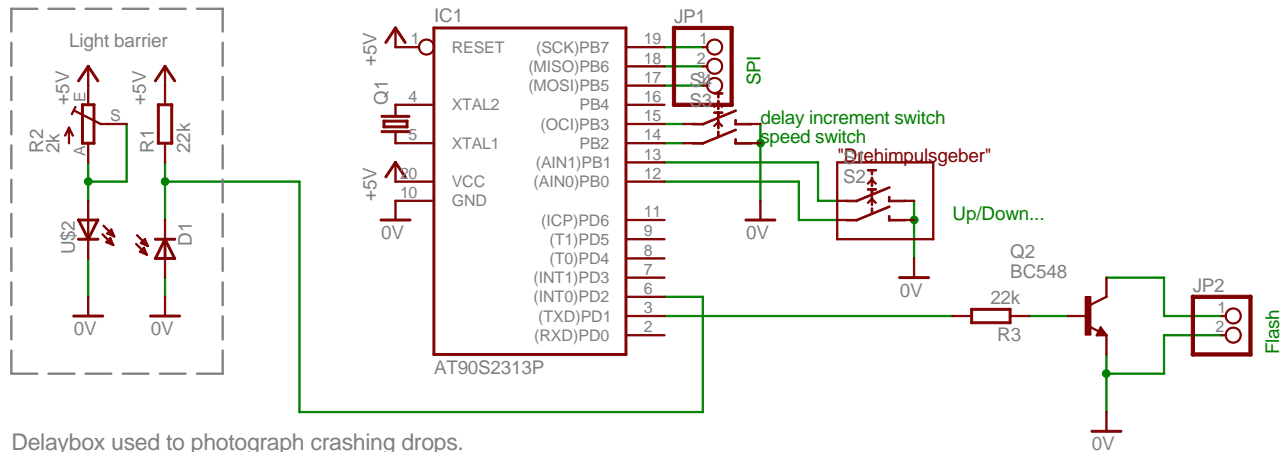


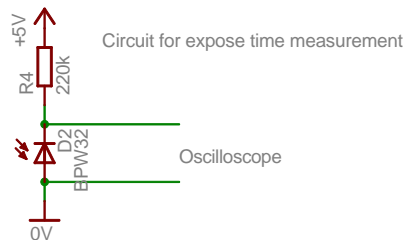
Catching the drop - delay trigger



Delaybox used to photograph crashing drops.

Use poti R2 to adjust LED brightness so that the photo diode is just approaching saturation (relative to R1). XTAL was actually connected to some external clock source.

(c) 04/2004 by Wolfgang WIESER



Milk drop delay box :)	
(c) 04/2004 by Wolfgang WIESER	
TITLE: delaybox	
Document Number:	REV: 1
Date: 8/15/2004 00:50:37	Sheet: 1/1